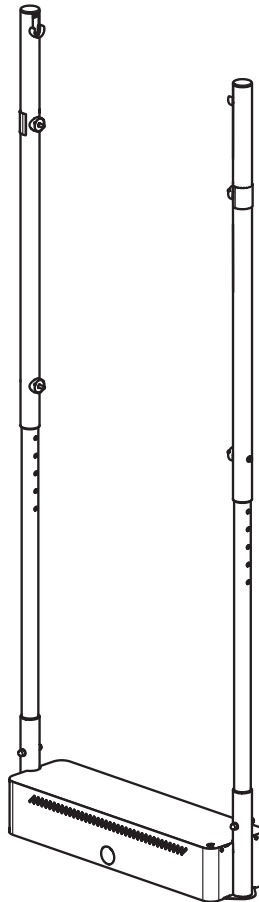


Installation Guide

SPDS4302

OM55N-DS Floor mount Height adjustable

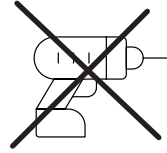
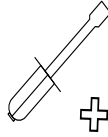
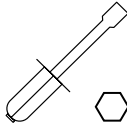




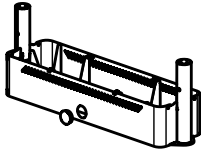
CAUTION

- Please ensure that you read and understand the content of the installation guide, before you begin the installation process.
- This product must be installed by a professional installer. More than one person needs to be involved in the installation of this product.
- Do not overtighten the fixings.
- The maximum weight limit for the hardware (screen, accessories etc.) for this solution is 50 kg. Do not exceed the stated weight limit.
- This product is intended for indoor use only.
- This product needs to be bolted to the floor. It is the responsibility of the installer to use the appropriate floor fixings for the specific installation location. Please follow the fixing suppliers recommendations for installation.
- This solution is designed for certified hardware and accessories. Always follow the installation guide from the hardware manufacturer for correct installation.
- Do not power the hardware until the entire solution is fully assembled.
- If these installation instructions are not followed precisely, it could lead to product failure and potential personal injury.
- Ergonomic Solutions / SpacePole Inc. cannot be held responsible for any product failure or personal injury, if the installation instructions are not followed correctly.
- Ergonomic Solutions / SpacePole Inc. cannot be held responsible for any product failure or personal injury, if any modifications have been made to the product by the customer.

Tool list



Box content



1x (A)



2x (B)



1x (D)



x2 (SP2 Sleeve)



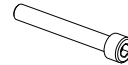
2x (C)



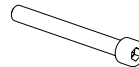
4x (M4x8)



2x (M8x20)



2x (M8x60)



2x (M8x75)



x2 (M8 nut)



4x (M8 cap)



2x (cover)



1x (End cap)

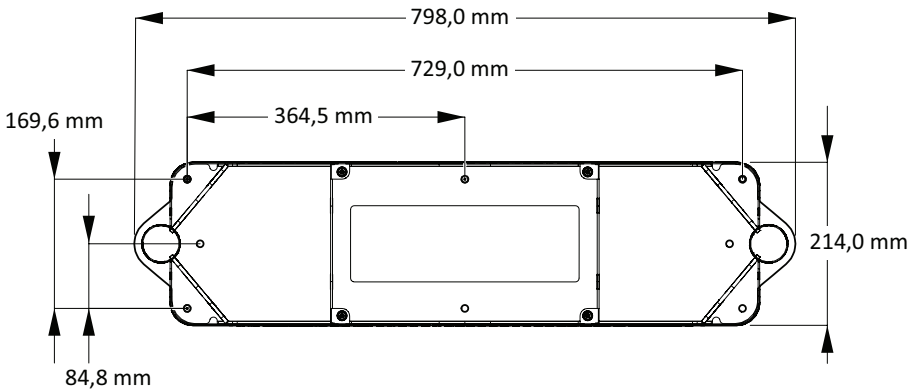
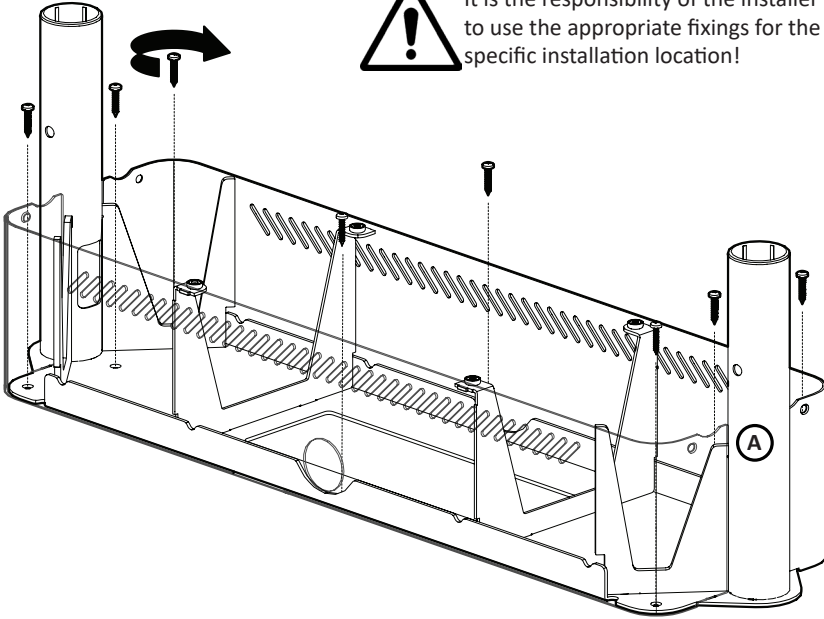


1x (Allen key 2.5mm)

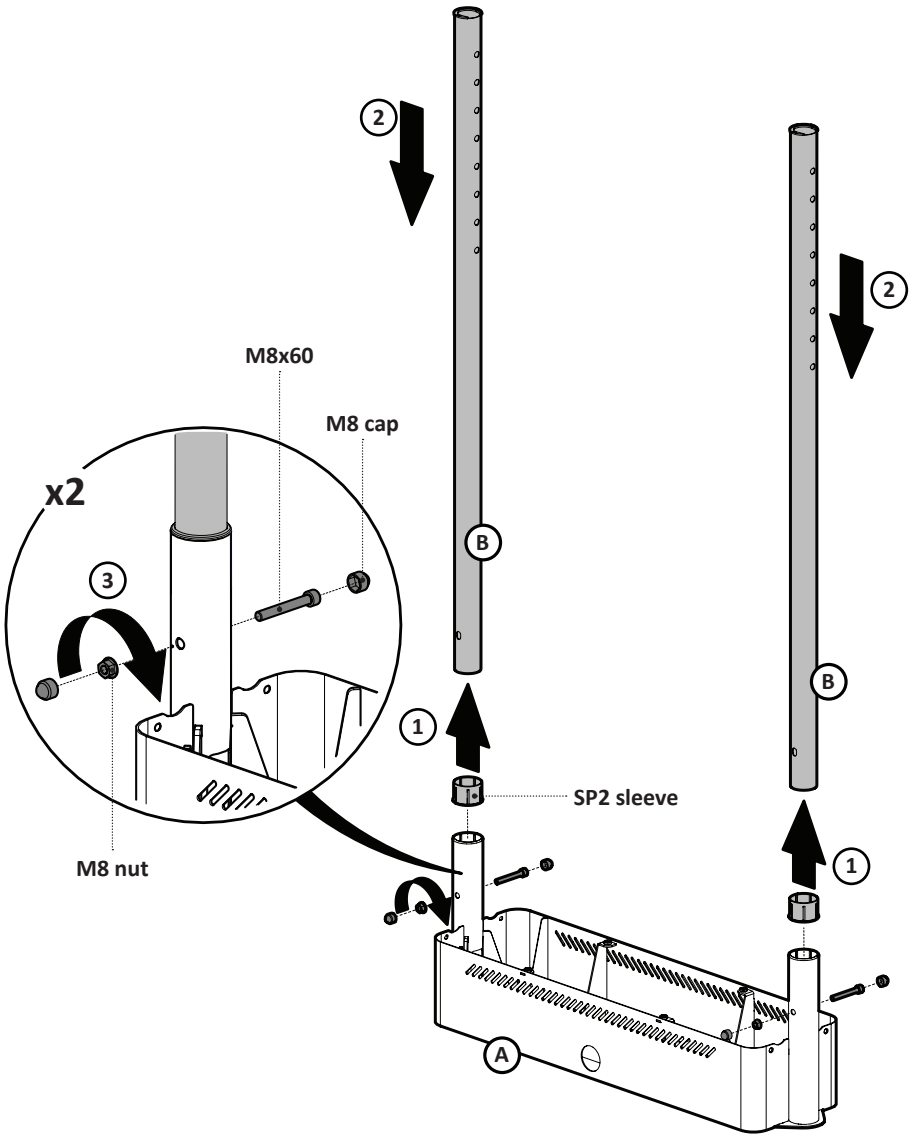
1 Mount base (A) to the floor



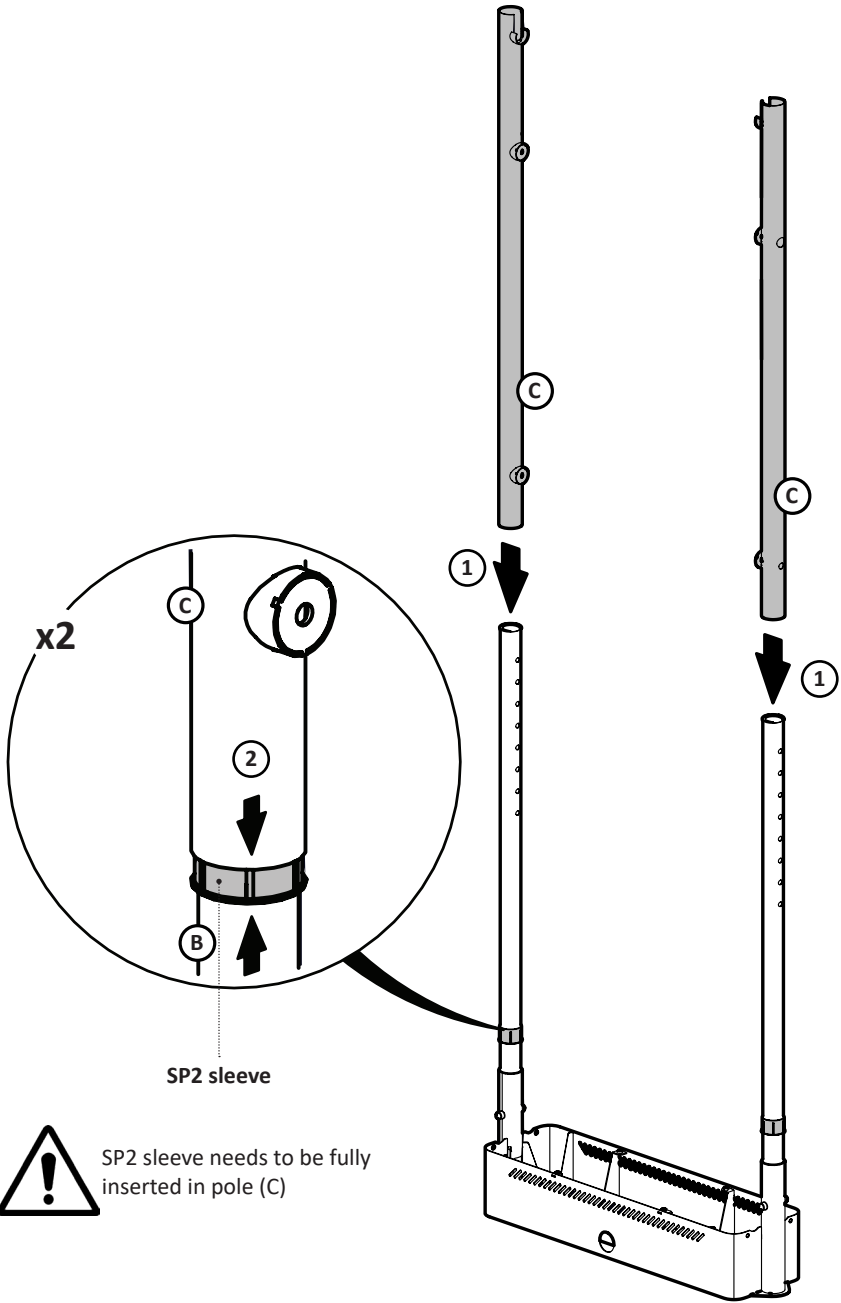
It is the responsibility of the installer to use the appropriate fixings for the specific installation location!



2 Mount poles (B) on the base (A)



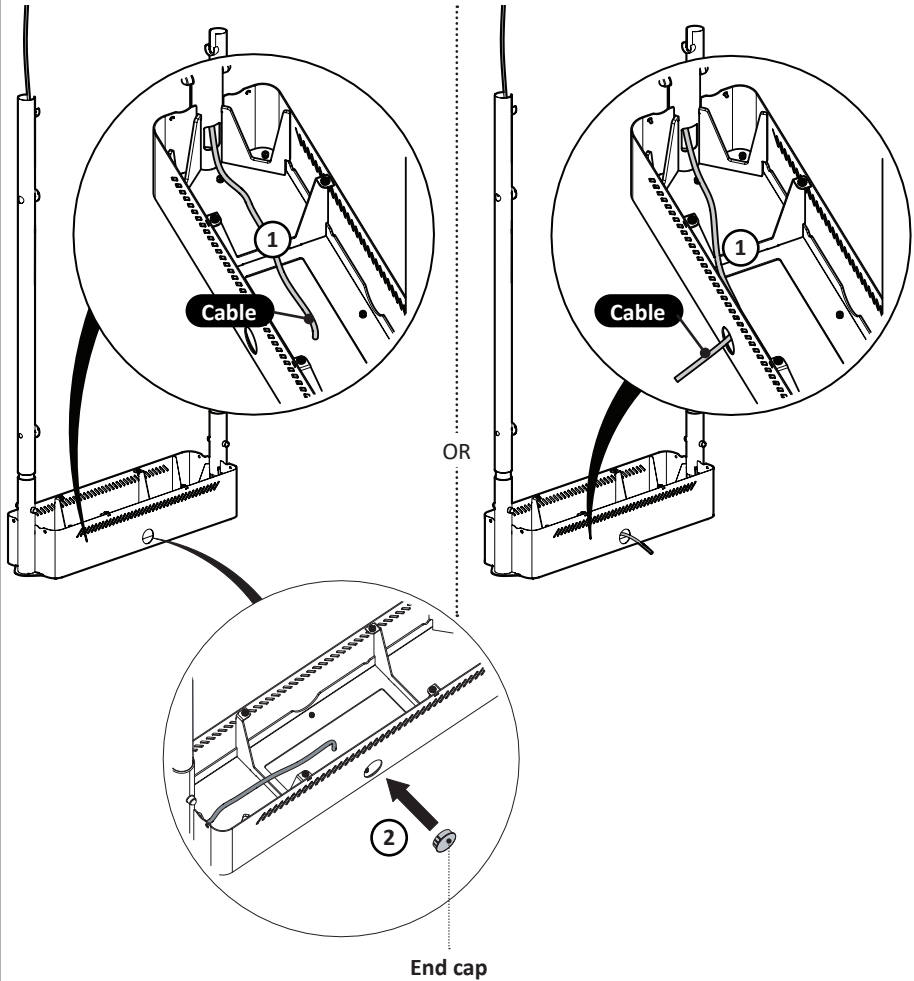
3 Mount adjustable pole (C)



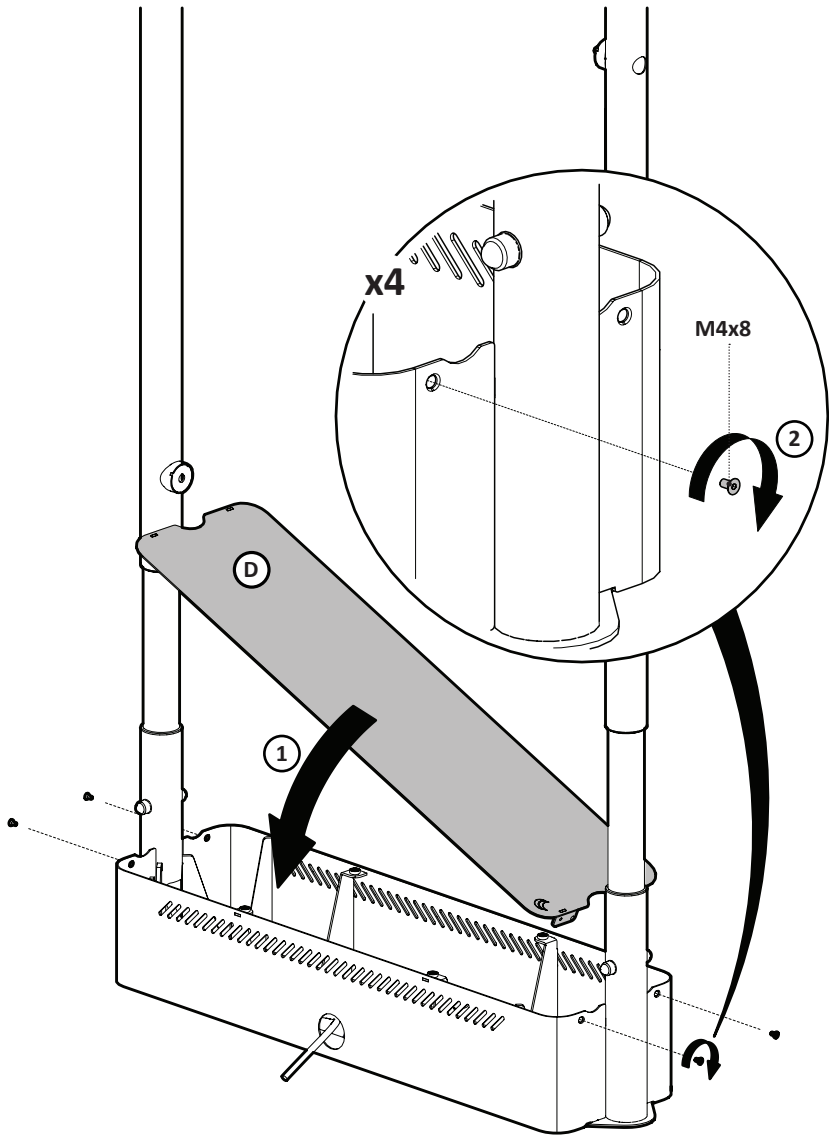
4 Cable management



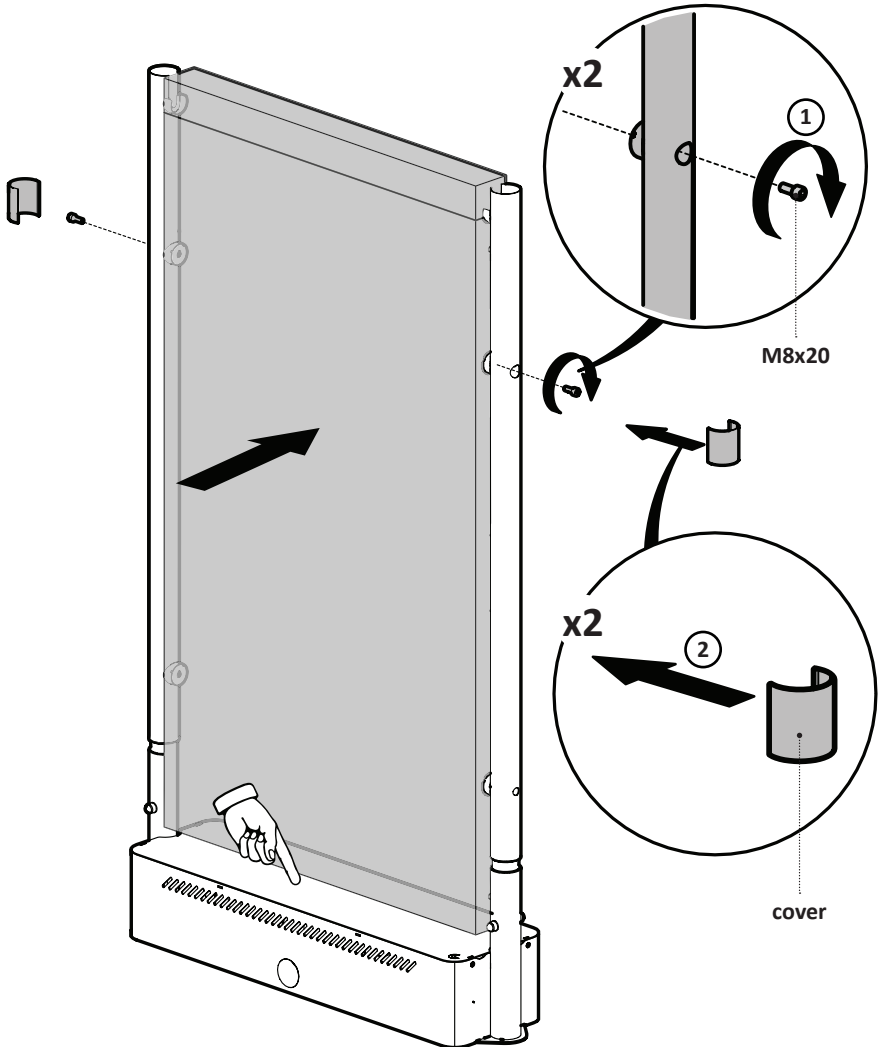
- Follow screen manufacturer guideline regarding cables' connections to the screen!
- Two options for cable management from base are available.
- Both left and right poles can be used to route the cables.



5 Mount the base cover (D)



6 Assemble the screen on the adjustable poles

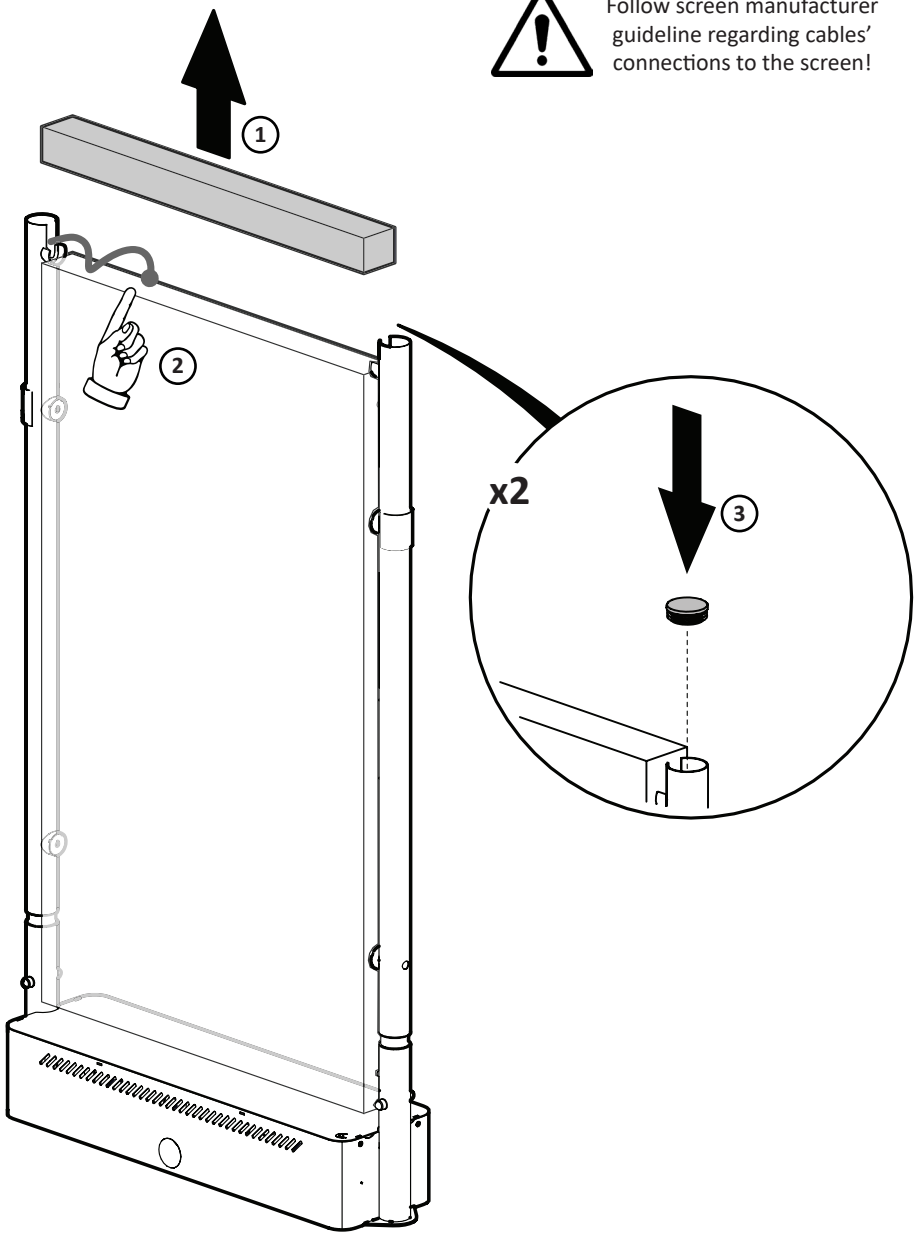


Cover the lid to avoid scratches, when mounting the screen.

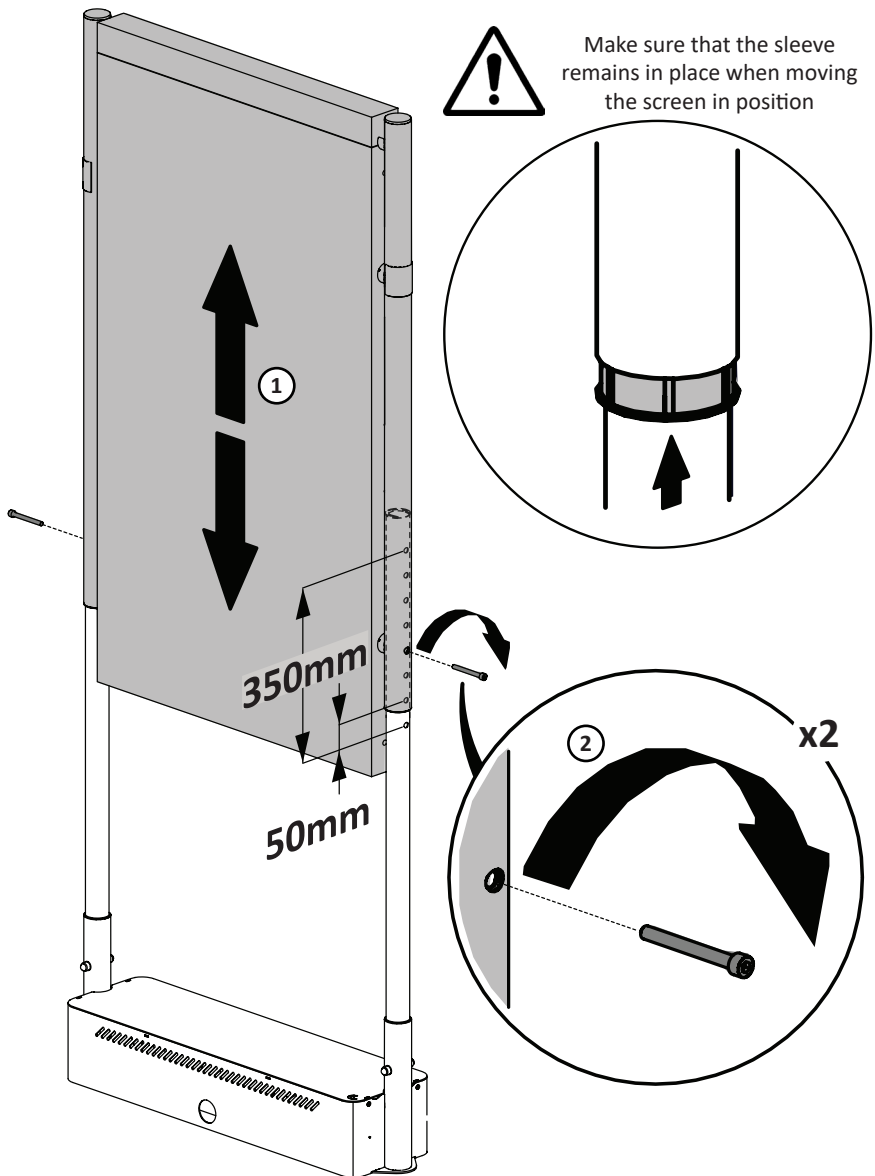
7 Plug the cables in the screen



Follow screen manufacturer guideline regarding cables' connections to the screen!



8 Move the screen in position and secure



Need help? Contact us



ergonomic[®]
solutions
creators of SpacePole



spacepole[®]
an ergonomic
solutions company

ergonomic.solutions/about/contact-us

spacepole.com/about/contact-us